

FLAG HEIGHT EXTENSIONS



PRACTICAL VEHICLE SOLUTIONS

To ensure Minecorps range of quick connect flags can comply with the different height requirements of mine sites and with various fitting positions (bull bar or ROPS mount) we have now added two flag height extension kits to the range.

These two extension kits allow our flags to remain quick connect and are able to be pulled apart to fit inside the vehicle for added security.

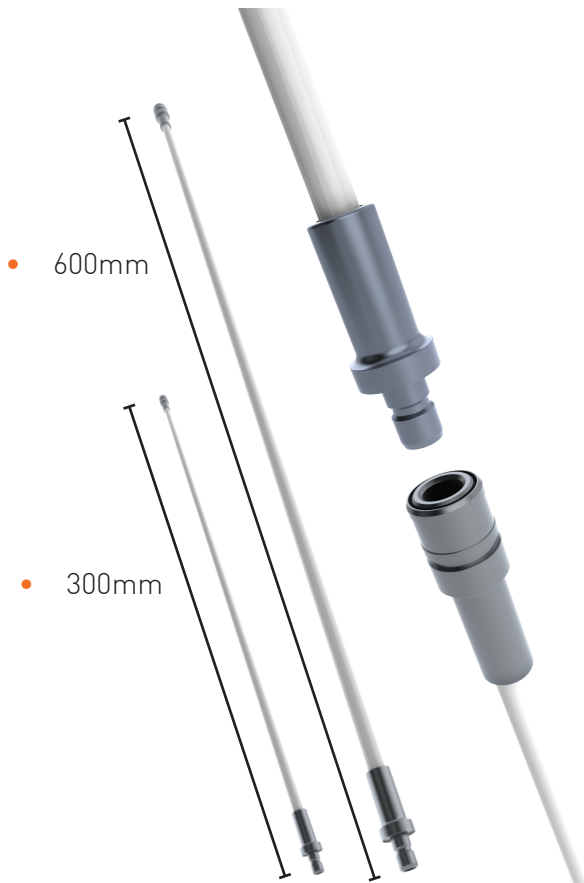
For more information regarding flag height compliance please refer to Technical Bulletin TB-0003 or contact your local sales representative.

PRODUCT NUMBER

- **M63001007/S** : 300mm Flag Extension
- **M63001008/S** : 600mm Flag Extension

FEATURES

- Fibreglass Whip
- Quick Release
- Suits all Minecorp quick connect flags



DRIVING VALUE & COMPLIANCE THROUGH QUALITY MODIFICATIONS