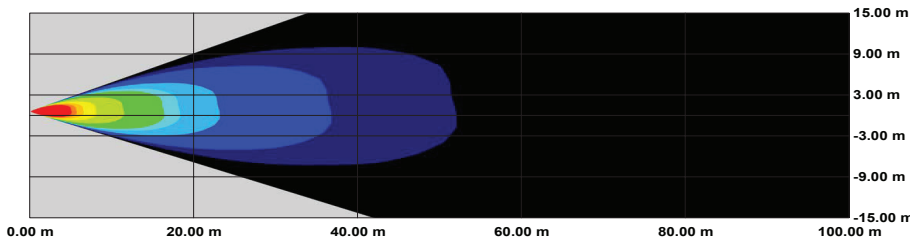
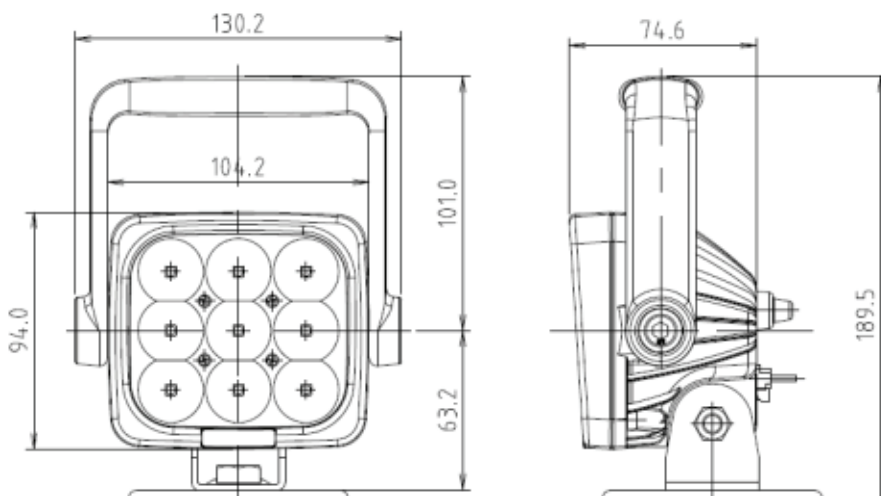




**MINECORP LED WORK LIGHT**  
LOW POWER CONSUMPTION - HIGH LIGHT OUTPUT



FEATURE	RATING
Light Output	1800 lm
Voltage Range	9 - 36 Volts DC
Colour Temperature	6000 Kelvin
Vibration Resistance	8.6G rms
Ingress Protection Rating	IP68 water/dust resistant
Operating Temperature	-40 °C to 60 °C



Minecorp's new LED work light is the solution for operating at night or in low light levels. This engineered LED light has low power consumption but high light output. The metalised free form reflector and high output LEDs provide a bright, white light source and a wide flood beam to illuminate the work area. A water and dust resistant switch built into the light housing provides flexibility to be able to turn lights on and off at the source. Combined with features such as die cast aluminium construction, IP68 water and dust rating, polarity and vibration protection and stainless steel fittings make this a rugged light for use in harsh conditions.

#### Minecorp LED Light Features

- 9 high output 3W LEDs
- Wide flood beam pattern
- Polarity protected
- Polycarbonate lens with UV coating
- High strength powder coated aluminium cast body with cooling fins
- Superior metalised free form reflector
- Soft grip rubberised handle
- In-built waterproof switch in rear of housing
- In-built Deutsch style female connector (male supplied with light)
- Stainless Steel mount and fittings
- 5 year warranty

PRODUCT	NET WEIGHT	PACKAGED WEIGHT	PART NUMBER
Work Lights (PAIR) - Minecorp Branded LED Switch Handle High Output	1.9 KG	2.5 KG	M68003011/S



CONTACT MINECORP TODAY ON 1300 922 881 [+61 7 3723 1000 OUTSIDE OF AUSTRALIA]

© Minecorp Australia 2020 Member of RMA Group

minecorp.com.au sales@minecorp.com.au